

Ejection Seat

A Slingshot into Space!

To call the Ejection Seat the most thrilling, heart-in-your-throat experience is no understatement. Our unique, single tower design with two or four arms allows for two, four or eight passengers to be catapulted into the air, going from zero to sixty miles per hour in one second. No doubt about it, it's the ultimate rush.



Launch Your Presence and Profits

In its first month on the market, the Ejection Seat was featured on CNN, USA Today, NBC, CBS, ABC and numerous international networks. The Ejection Seat has become a larger-than-life, customer magnet showpiece for many parks. It's so amazing and fun to watch that many onlookers quickly become paying customers. Not only can you charge from \$20 to \$40 for each rider, but Gravity Works/BCI has an exclusive seat-mounted video camera that produces a must-have souvenir video tape.

Safety First

The Ejection Seat was designed with extreme safety in mind. Every Ejection Seat is built with only the strongest, highest-quality materials and each strategic part is connected with full-penetration welds. It has been tested by our state-of-the-art computer-assisted design and engineering programs so it stays up and running safely for as long as you own the ride. It exceeds ASTM-F24 standards and has passed every state, provincial and international inspection easily.

Most Profitable High-Thrill Ride

For the last five years, The Ejection Seat has been the highest grossing, most profitable extreme ride in the world. It has grossed over \$25K in a single day!

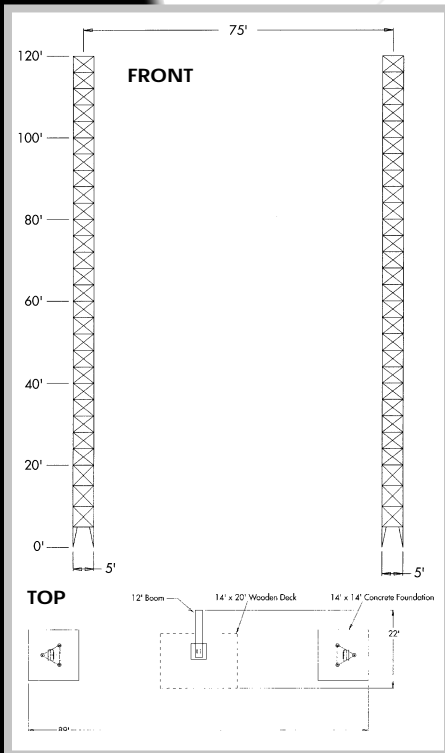
Guaranteed Support

Every Ejection Seat comes with 24-hour technical support that continues throughout the life of the ride. We'll give you help with the implementation, installation, and start-up operations for the Ejection Seat. Low-cost liability insurance is available and Gravity Works/BCI provides one of the strongest warranties in the industry.

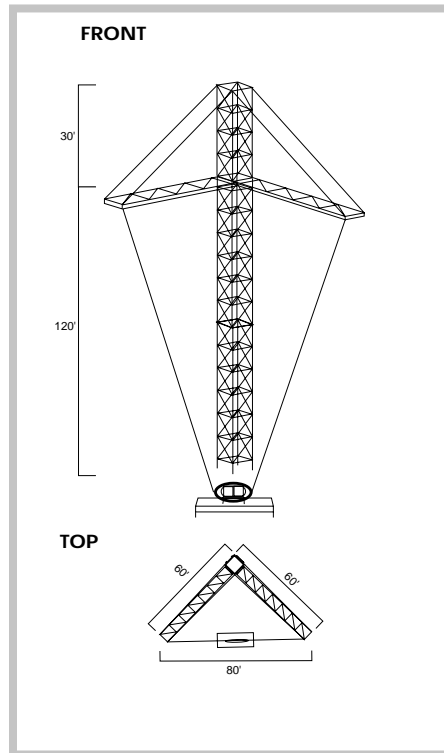


The Big Shot in Your Park!

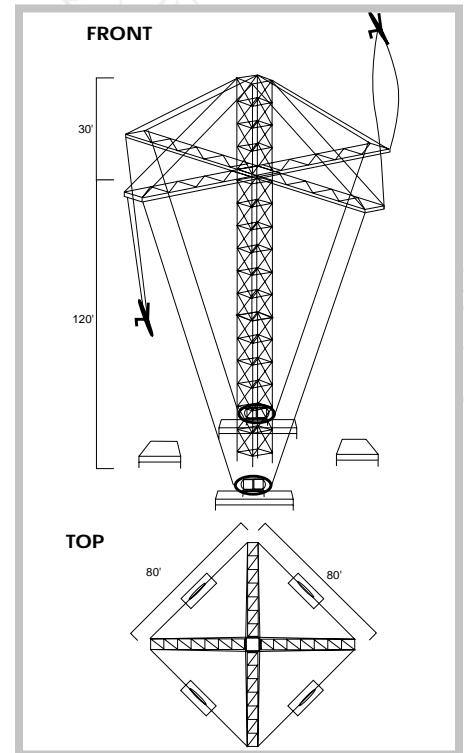
ES 2



ESFT 2



ESFT 4 & ESFT 8



Ejection Seat Product Line Monthly Pro-forma

Assumes 60% capacity running 10 hrs/day

Revenue	ES 2/ESFT 2	ESFT 4	ESFT 8
Launch Revenue @ \$25/rider	\$ 162,000.00	\$ 324,000.00	\$ 648,000.00
Videos, T's, @ 25% revenue	\$ 40,500.00	\$ 81,000.00	\$ 162,000.00
Gross Revenue	\$ 202,500.00	\$ 405,000.00	\$ 810,000.00
Expenses	ES 2/ESFT 2	ESFT 4	ESFT 8
Management	\$ 3,000.00	\$ 3,000.00	\$ 3,000.00
Staff (5, 7, 11 staff @ \$8/hr)	\$ 12,000.00	\$ 16,800.00	\$ 26,400.00
Bungee Cords (\$4/launch)	\$ 12,960.00	\$ 25,920.00	\$ 51,840.00
Advertising (5% of revenue)	\$ 16,200.00	\$ 32,400.00	\$ 64,800.00
Insurance (5% of revenue)	\$ 8,100.00	\$ 16,200.00	\$ 32,400.00
Royalties (0%)	\$ -	\$ -	\$ -
C/C Fees (2% of revenue)	\$ 4,050.00	\$ 8,100.00	\$ 16,200.00
COGS (40% of revenue)	\$ 16,200.00	\$ 32,400.00	\$ 64,800.00
Miscellaneous	\$ 1,000.00	\$ 2,000.00	\$ 4,000.00
Total Expenses	\$ 73,510.00	\$ 136,820.00	\$ 263,440.00
%	36%	34%	33%
Profit	\$ 128,990.00	\$ 268,180.00	\$ 546,560.00
Profit Margin (%)	64%	66%	67%



Contact Information:

Gravity Works/BCI

22 Aldridge Way, Ottawa, Ontario, CANADA K2G 4H8

Toll Free: 1 877.828.8170

Local: 613.822.3456 Fax: 613.822.8236

Web: www.bungeeconsultants.com

Email: bci@bungeeconsultants.com

